

BH100-02 1000V / 1100V Fuse Holder

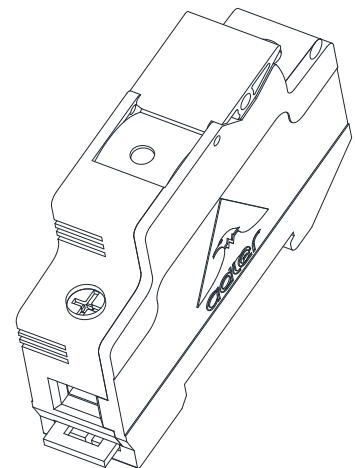
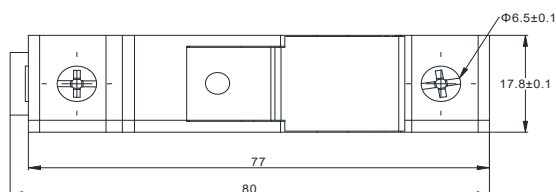
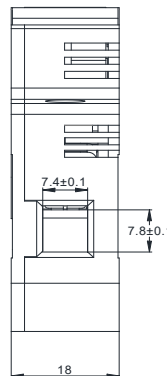
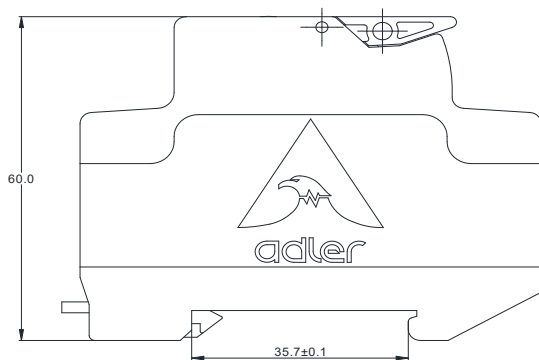


FEATURES:

ADLER BH100-02 touch safe fuse holders are designed for all standard 10x38mm PV fuses such as ADLER A73 / A83 series.

Note: SCCR is limited to the interrupting rating of the installed fuse or 30kA, which ever is less.

DIMENSIONS: mm



DESCRIPTION:

BH100-02 touch safe holders are designed for 10x38mm DC midjet fuses, especially for use with photovoltaic equipment. 10x38mm Fuse Holder With Indicator Light

SPECIFICATIONS:

- Rated Voltage: 1000 VDC / 1100 VDC
- Rated Current: up to 30 A / 32 A
- Short Circuit Current Rating(SCCR): DC 30kA@1000VDC / 20kA@1100VDC
- Standards: UL 4248-18
- Wire Range: 18 - 8 AWG
- Max. Torque: 3.4 N·m
- Max. Dissipation: 6W
- Operation Temperature: -40°C to +130°C
- Material Flammability: UL 94-V0
- Mounting: DIN Rail mounting
- Degree of protection IP20
- UL Listed File: E486822