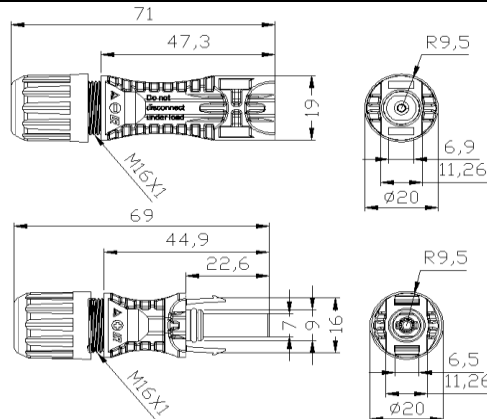


# BETAsolar™ PV Connector LSC-R1



## Technical Data

Electrical Properties		Environment Properties	
Rated Voltage	1500V(TÜV) / 1500V(UL)	Protection Degree	IP68(1m, 1h) (DIN EN 60529)
Rated Current	30A(4/6mm <sup>2</sup> ), 22A(2.5mm <sup>2</sup> )	Temperature Range	-40 °C ~+85 °C
Contact Resistance	< 0.30mΩ	Raw Material	
Insulation resistance	> 3.0GΩ	Terminal	Copper, Tin plated
Pollution degree	1/2/3/4	Housing	PPE
Rated impulse voltage	8KV	Seal	Silicon
Standard	TÜV: EN 50521:2008+A1 UL: Subject 6703		
Mechanical Properties			
Wise size range	2.5~6.0mm <sup>2</sup>		
Cable diameter	5.0~8.0mm		
Crimp type	B-Crimp: 2.5, 4.0, 6.0mm <sup>2</sup>		

## Certification

- TÜV Rheinland certificate No. R 50313943
- UL certificate No. Pending

## Description

- Apply to Monocrystalline & polycrystalline silicon PV module
- TÜV & UL approved
- High current Carrying capability
- Cable connected by crimping

**LEONI Cable (China) Co., Ltd**  
Sanjing Industry Park, New Area, Changzhou,  
Jiangsu 213022 China

www.leoni-solar-windpower.com